



# AudioMaster® Public Address 30-watt Speaker

Model AM302

## PUBLIC ADDRESS FOR INDUSTRIAL ENVIRONMENTS

- Transformer coupled
- 25 or 70Vrms
- 30-watts
- Re-entrant horn design
- Wall mount
- Type 3R enclosure
- UL 1480 Approved

The AM302 is a rugged, transformer coupled, re-entrant speaker for use in a public address or paging application. This 30-watt speaker features a durable speaker cone and projector constructed of spun aluminum. The speaker wiring connections are enclosed in a dust- and moisture-proof, die-cast aluminum compartment. All external surfaces are sealed with a gray powder coat paint.

Two screws inserted through the back of the wiring compartment provide for a simple wall mount. The bottom of the AM302 contains two 1/2 - inch conduit openings to accommodate inbound and outbound audio wiring. The unique shape of the AM302 projector provides a 60° sound dispersion. The projector is held in position with a Teflon coated lock ring that can be rotated 180° in order to obtain the desired sound distribution.

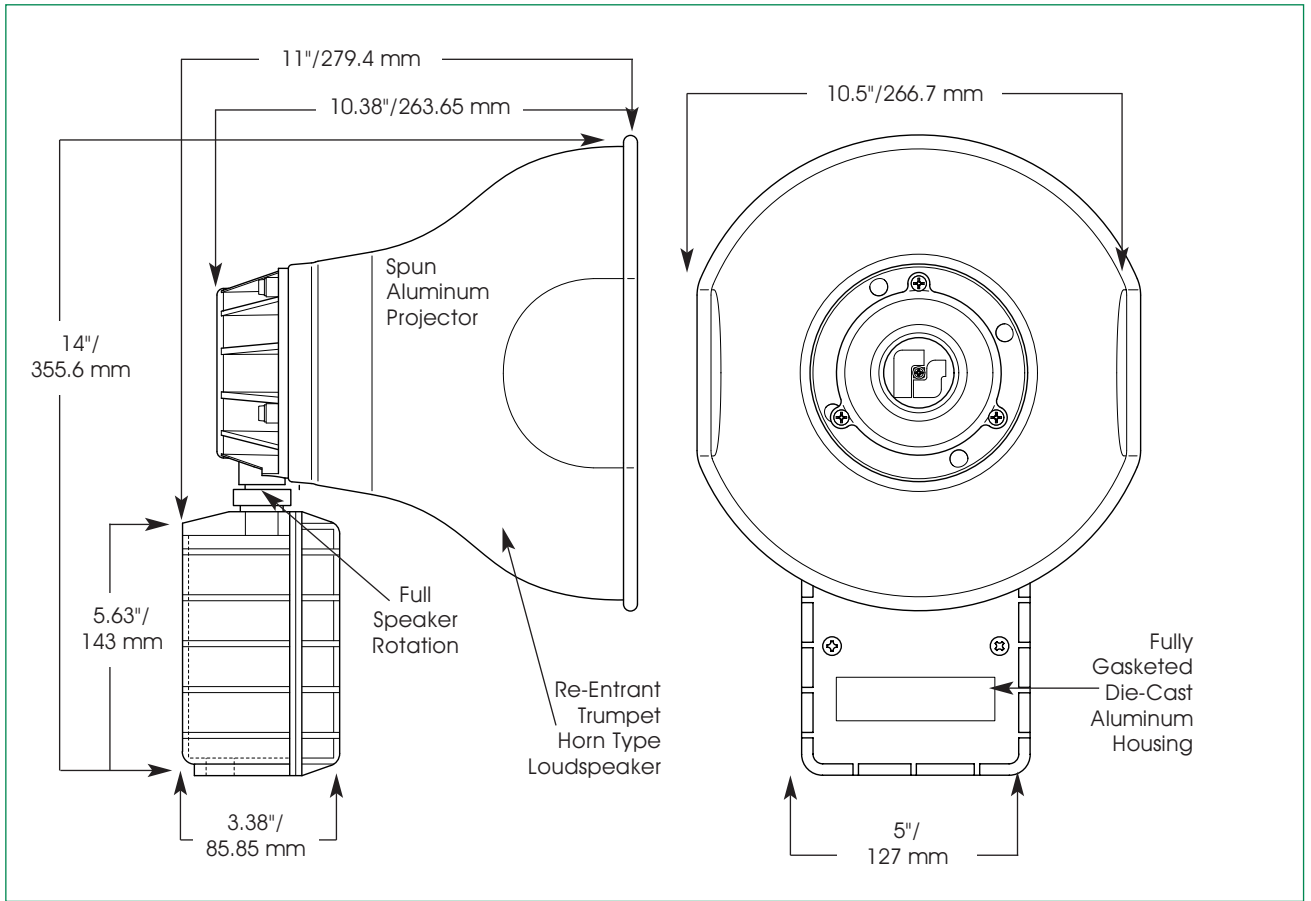
Power handling for the AM302 is 30-watts with transformer taps of 30, 15 and 7-watts. This unit is designed for use in 25 and 70Vrms distributed systems.

The AM302 is rated for indoor and outdoor use. The AM302 can be used with the AudioMaster® CTS series amplifiers and the AudioRouter™ to complete an industrial grade public address system.

Model	Power Handling	Frequency Response	Transformer	Power Taps	Beam Width	Decibels @ 10'	Decibels @ 1m
AM302	30-watt	400-4000Hz	25/70Vrms	30,15,7	60°	114	124



## PUBLIC ADDRESS SPEAKER (AM302)



### SPECIFICATIONS

Net Weight:	7.2 lbs.	3.3 kg
Shipping Weight:	8.1 lbs.	3.67 kg
Height:	14.0"	355.6 mm
Width:	10.5"	266.7 mm
Depth:	11.0"	279.4 mm

### HOW TO ORDER

- Specify model number
- Please refer to Model Number Index AM302 beginning on page 381